



IF IN DOUBT ASK  
DO NOT SCALE

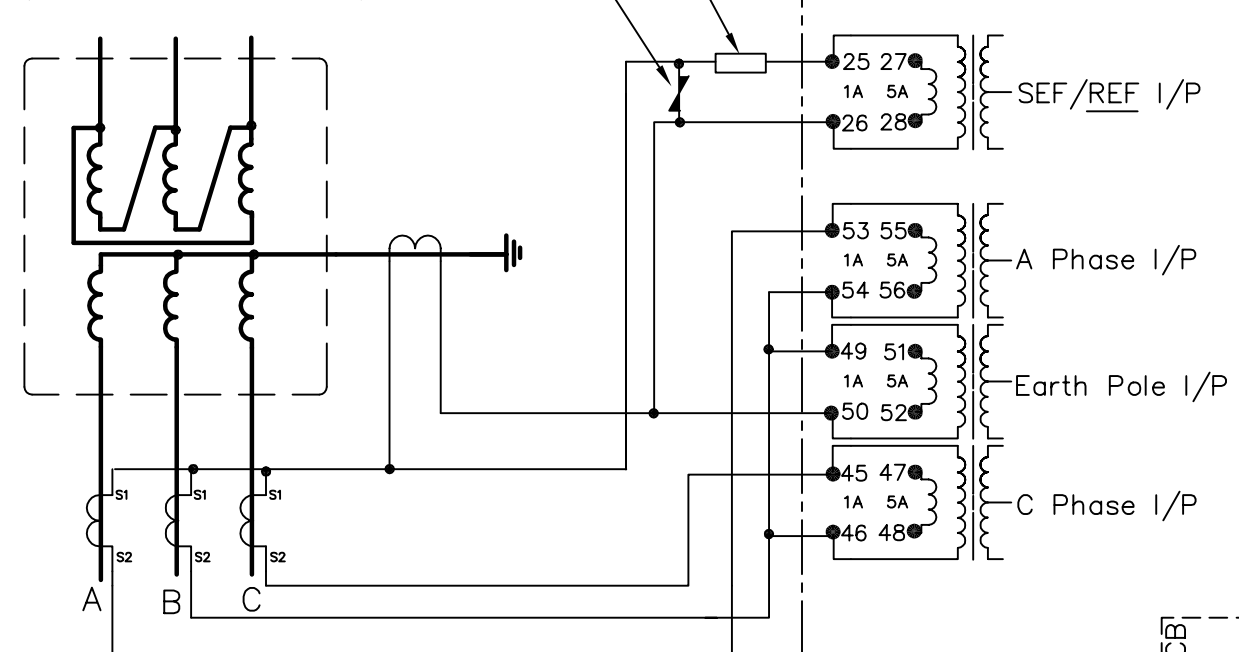
DCD42xB(ARGUS 1)MODULAR SIZE 6 CASE

A

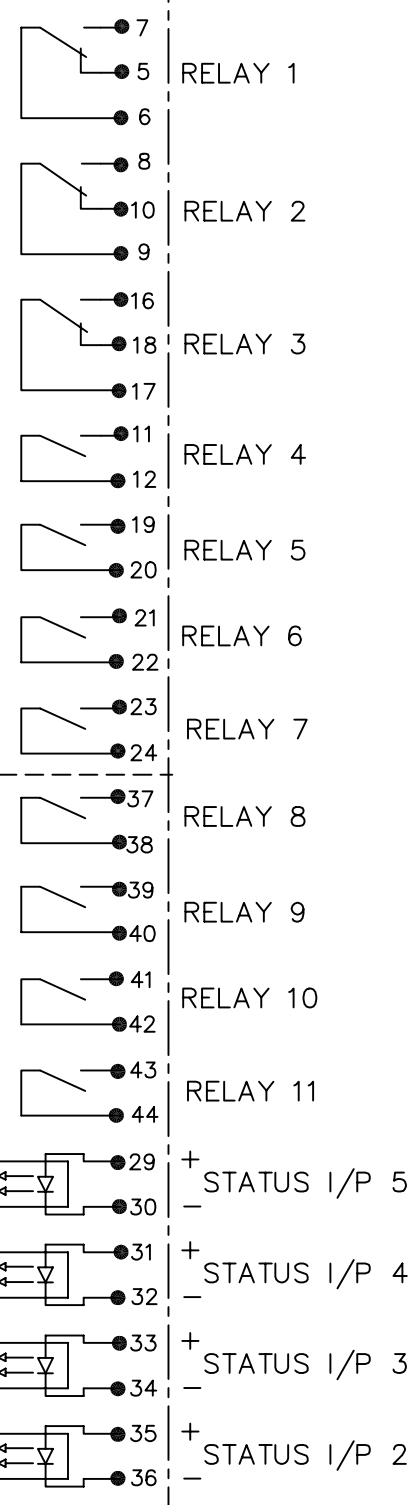
EXTERNAL SERIES STABILISING RESISTOR  
EXTERNAL VOLTAGE LIMITING DEVICE  
(NON LINEAR RESISTOR)

B

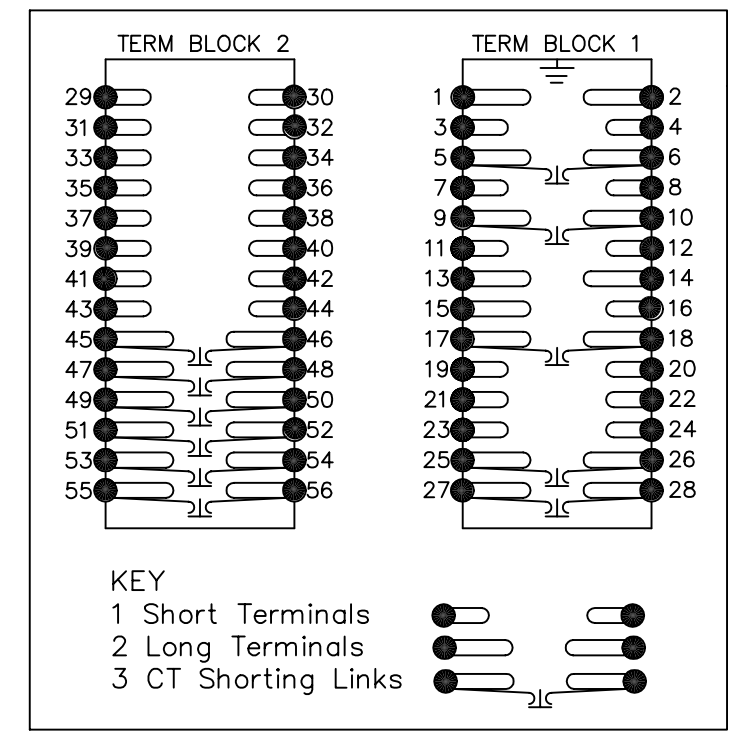
C



EXPANSION PCB



TERMINAL BLOCKS VIEWED FROM REAR

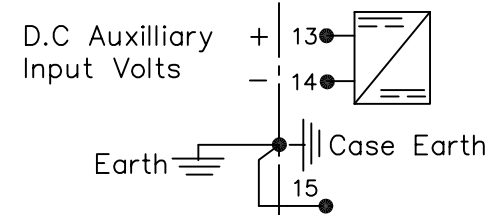


KEY  
1 Short Terminals  
2 Long Terminals  
3 CT Shorting Links

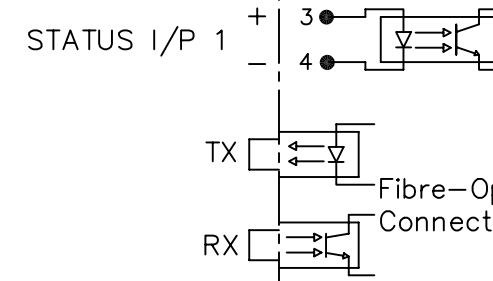
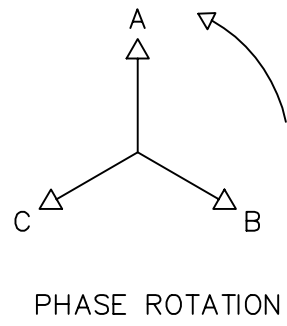
- NOTES
- 1 CT CIRCUITS ARE SHOWN CONNECTED TO RELAY 1 AMP TAP. USE ALTERNATIVE TAP FOR 5AMP RATED CTs.
  - 2 CT & EARTH CONNECTIONS ARE TYPICAL ONLY.
  - 3 EXTERNAL N.L.R. & STABILISING RESISTOR REQUIRED FOR HIGH IMPEDANCE RESTRICTED EARTH FAULT APPLICATIONS. REFER TO APPLICATION GUIDE 990/TIR/06/1
  - 4 FOR TERMINAL DIAGRAM SEE 2434W50001 (A2)
  - 5 DRG SHOWS OPTION A (7 OUTPUTS, 1 INPUT) DRG SHOWS OPTION B (11 OUTPUTS, 5 INPUTS)

**NOT SUBJECT TO UPDATE  
ONCE COPIED / PRINTED  
OR DOWNLOADED**

D



E



MATERIAL:

Dimensions in millimetres : Surface texture in micrometres.  
Machine where marked ✓  
For explanation of dimensions, tolerances, notes etc. see B.S.308.  
Limit on untoleranced unmachined dimensions ± \_\_\_\_\_  
Limits on untoleranced machined dimensions to B.S.4500;  
i.e. up to 6±0.1; over 30 to 120±0.3; over 315±0.8;  
over 6 to 30±0.2; over 120 to 315±0.5;  
General unmachined angular tolerance ± \_\_\_\_\_

Finish: \_\_\_\_\_  
Treatment: \_\_\_\_\_

Title: TYPICAL SCHEMATIC DIAGRAM FOR 2P+E/F+SEF  
NUMERIC O/C PROTECTION ARGUS 1 EPSILON CASE  
APPLIED TO PROVIDE REF PROTECTION

**Reyrolle Protection  
Hebburn.**

Original Scale: NTS

First used on: \_\_\_\_\_  
Similar Articles: 2  
Supersedes: \_\_\_\_\_  
Drg. No. 2434W10085

2	21/8/02	MN434/2368
1	06/06/02	CHANGE NOTED
ISSUE	DATE	NOTED

Copyright © 2002 Reyrolle Ltd.

DRAWN M LEASK	CHECKED	APPROVED R.D.WATSON	DATE 23/07/02	IE	OPS	PCP	Purch.Spec. TQ	EAC	CE	STD	A3
---------------	---------	---------------------	---------------	----	-----	-----	----------------	-----	----	-----	----